

**16A & 32A INLET PANEL PLUG**

**HTN613-4**



**HTN613**



**HTN614**



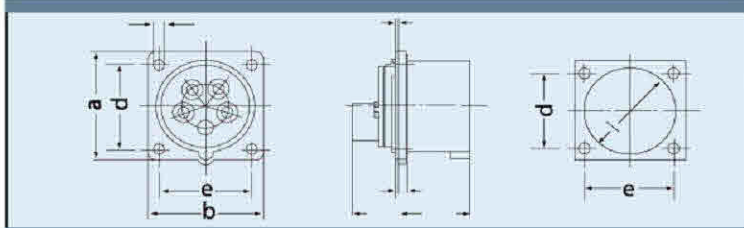
**HTN623**



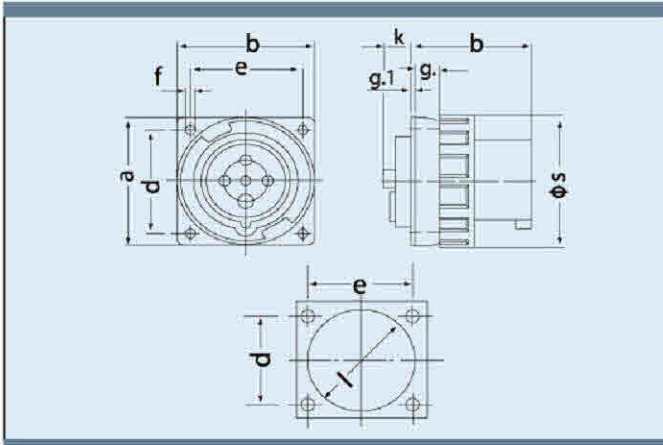
**HTN624**



**HTN625**



Drawing	Amp.	16		32	
	Poles	3	4	5	
Dim. in mm	a	75	75	75	
	b	75	75	75	
	d	60	60	60	
	e	60	60	60	



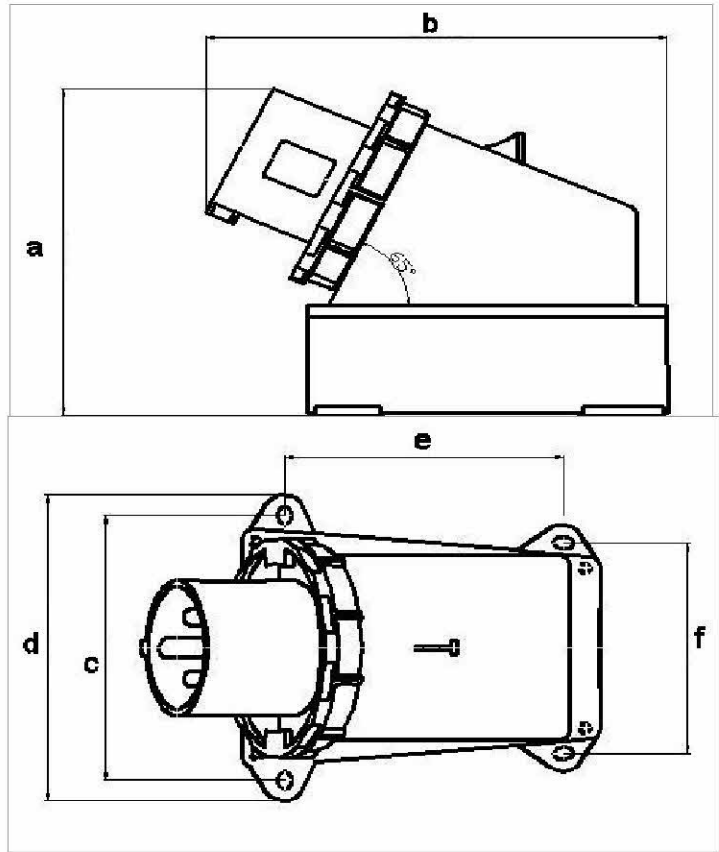
Drawing	Amp.	63		125	
	MODEL NO	BR 634	BR 635	BR 644	BR 645
2 MB 166	Poles	4	5	4	5
Dim.in mm	a	110	110	130	130
	b	106	106	130	130
	c	86	86	112	112
	d	90	90	104	104
	e	90	90	104	104
	f	5.5	5.5	6.5	6.5
	g.	11	11	18	18
	g.1	2	2	2	2
	k	28	28	28	28
	l	73	73	95	95
s	113	113	132	132	
Terminal For Cond. Cross Sectional (mm <sup>2</sup> ) Min.-Max		6-16	6-16	25-70	25-70

# 63A Industrial Wall Inlet

• BR 334



• BR 335



BR334		BR335	
6h	<b>Earth Contact Position</b>	6h	<b>63Amp</b>
63Amp		63Amp	
4		5	
380-415V~3P+E	<b>Current</b>	220-380V ~3P+N+E	<b>Voltage</b>
	<b>Pole</b>	240-415V ~3P+N+E	
IP67	<b>Watertight</b>	IP67	<b>Dimension (mm)</b>
180.2	a	180.2	
219.2	b	219.2	
136	c	136	
157	d	157	
133	e	133	
108	f	108	
<b>Cable Grand m40</b>			



ACCESS ELECTRICAL PTE LTD

No. 207 Kaki Bukit Ave 1, Shun Li Industrial Park, Singapore 416038

Tel: (65) 6842 8482(3 Lines) Fax:(65) 6846 8280

Email: access66@singnet.com.sg